

PSP480D22/T1CTA

PROSURGE® PSC series panel SPDs are defined as high performance surge protection solution for most commercial and industrial environments with critical operations. They include Type 1 and Type 2 Surge Protective Devices (SPDs) that protect against the harmful effects of transient surges. These surges are the result of:

- Direct and indirect lightning strikes
- Power company load switching
- Upstream load switching at other facilities

The SPD Types Per ANSI / UL 1449 5th:

Type 1 – Permanently connected SPDs intended for installation between the secondary of the service transformer and the line side of the service equipment overcurrent device, as well as the load side, including watt-hour meter socket enclosures and Molded Case

SPDs intended to be installed without an external overcurrent protective device.

Type 2 – Permanently connected SPDs intended for installation on the load side of the service equipment overcurrent device; including SPDs located at the branch panel and Molded Case SPDs.

PSP C is constructed with Prosurge's patented PTMOVs, which has a thermally protected and arc extinguishing technology as the core of Prosurge's competency. PSP C has a significant advantage in abnormal over-voltage & high fault current safety and thus ensures industry's highest level of safety and performance. The parallel redundancy modules design makes the SPDs extremely robust and reliable, and thus may handle great impulse current up to 300kA (8/20 μ s) and multiple impulse current at its highest rated level.

The Prosurge PSP C series are tested and listed as UL1449 5th Type 1 and Type 2 SPD (UL1283 listed with sine wave tracking function). Their front panels integrate functionality of SPD working status monitor and self-diagnosis to enhance the performance and usability. They feature with indicator and colored LEDs to demonstrate the power & protection status of each protected power phase. They are constructed with waterproof plastic enclosure to ensure that dirt, dust and water are resisted for either indoor or outdoor usage.

■ Typical Applications:

In high & medium exposure locations

- Commercial
- Industrial
- Communications
- Renewable energy
- Critical power (hospitals, data centers, etc)

Outstanding PTMOV Technology



Thermally Protected MOV technology. Fast and safely disconnect in the case of abnormal over-voltage or current fault conditions.

Distribuido por:

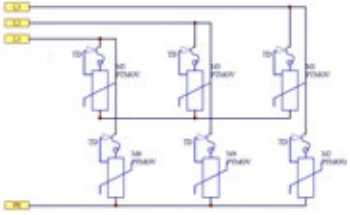
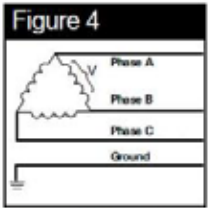
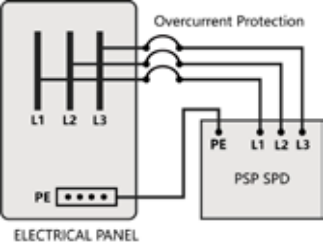


info@agngroup.net
www.agngroup.net

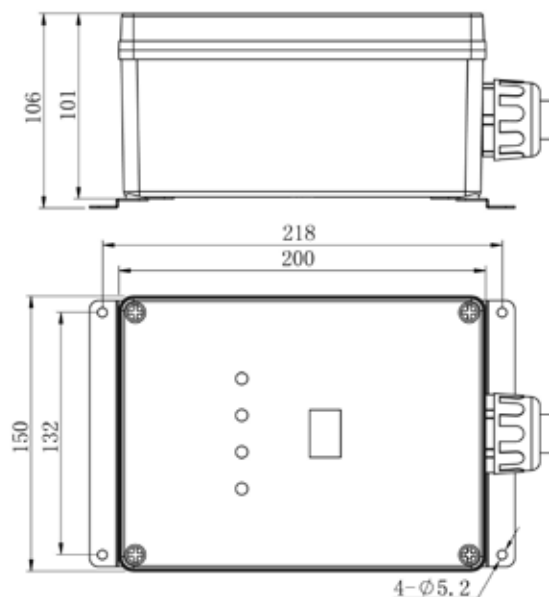
■ Features:

- UL 1449 5th and CSA C22.2 listed Type 1 SPDs
- Up to 200kArms SCCR tested without external CB or fuse
- Prosurge Patented SCCR 200kArms thermally protected MOV technology(PTMOV) as core component
- Full modes protection
- High surge energy capability with compact size
- Low voltage protection rating
- Degradation failure indication.
- With Surge event counter
- With remote alarm contact
- Waterproof plastic enclosure to resist dirt, dust and water
- With audible alarm, beep while SPD fail

■ Basic circuit diagram

Basic circuit diagram of surge protection circuit	Un/ Power system (50/60 HZ)	Power distribution applied	Wire connection
<p>PSP480D22/T1CTA</p> 	<p>480Vac Three phase Delta 3W+G</p>	<p>Figure 4</p>  <p>DELTA & HRG WYE 3 Hots, 1 Grnd</p>	

■ Dimensions (unit: mm)



Distribuido por:



info@agngroup.net
www.agngroup.net

■ **Specification:**

PSP Part No.	PSP480D22/T1CTA
Voltage configuration	480Vac Three phase Delta 3W+G
Operating frequency range	47 - 63 Hz
Max continuous operation voltage MCOV (Vac)	550Vac
SPD category per UL 1449 5th	Type 1
Connection Type	Parallel Connected
Protection mode	L-G, L-L
Voltage protection level VPR (V)	L-G 1800; L-L 2000
Nominal discharge current	20kA
Surge Capacity	100kA/phase
Short circuit current rating	200kArms
Failure pre-test	Press 2S (test button)
Power Status Indication	Normal=Green LED ON
Working Status Indication	Normal= Green LED ON; Fail= Red LED ON Buzzer inside, beep while SPD fail
Power Connecting	10AWG, 762mm (30") length, (L1=black; L2=red; L3=blue; N=white; PE=green)
Signal cable	16AWG, 762mm (30") length,(C=red; NC=blue; NO=brown)
Working environments	Temperature $-40^{\circ}\text{C} \sim +75^{\circ}\text{C}$, Humidity relative 5~95% (25 $^{\circ}\text{C}$) , Altitude \leq 3km
Dimensions (W x D x H)	200 x 150 x 100 mm
Threaded NPT	3/4"NPT
Enclosure	Waterproof Plastic enclosure
Net Weight (typical value)	1.59 kg
Certification	ANSI/UL1449 5th edition, CSA C22.2